



BEACON
design . performance . technology

INSTALLATION INSTRUCTIONS, 4-SCREW LUMINAIRE MOUNTING SYSTEM

CAUTION HIGH VOLTAGE
LIGHT FIXTURES AND WIRING SHOULD BE
INSTALLED BY A LICENSED ELECTRICIAN.

INSTALLATION

1. TURN OFF ALL POWER.
2. MAKE WIRE CONNECTIONS TO LUMINAIRE AND INSERT INTO ARM.

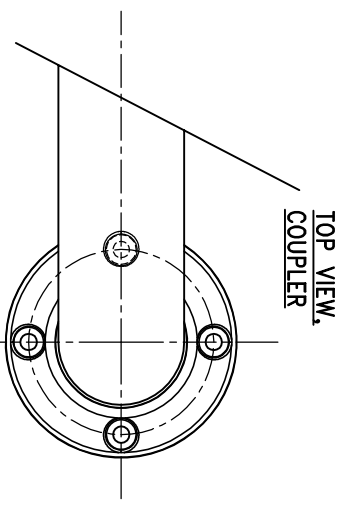
3. PASS PIN IN LUMINAIRE NIPPLE THROUGH SLOT IN ARM COUPLER. ROTATE LUMINAIRE UNTIL MOUNTING HOLES LINE UP (WHICH WILL BE INDICATED BY THE PIN DROPPING INTO INTERNAL GROOVES IN THE COUPLER). LUMINAIRE MAY BE ROTATED IN 90 DEGREE INCREMENTS.

NOTE: THE PIN WILL TEMPORARILY SUPPORT THE LUMINAIRE, BUT THE INSTALLATION SHOULD NOT BE LEFT UNATTENDED UNTIL THE LUMINAIRE IS PROPERLY SECURED WITH SCREWS.

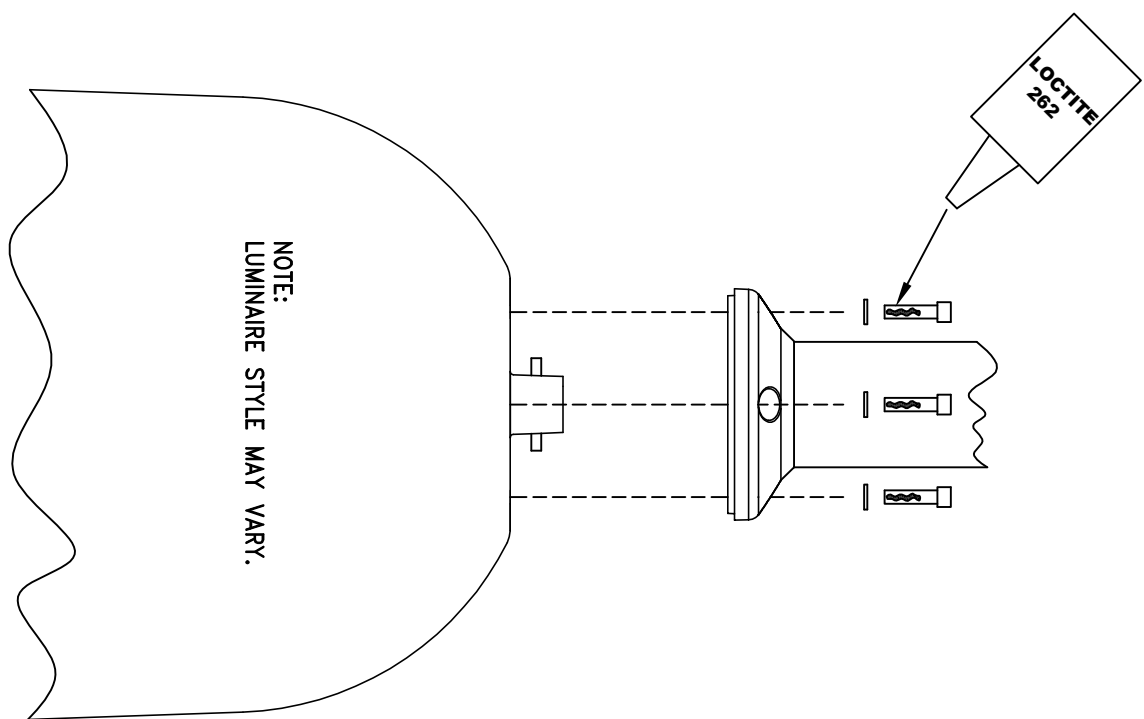
4. APPLY LOCTITE 262 THREADLOCKER (INCLUDED) TO THE THREADS OF THE (4) SOCKET CAP SCREWS.

5. INSTALL (4) SOCKET CAP SCREWS WITH FLAT WASHERS. TORQUE TO 80 IN-LB IN A CRISS-CROSS PATTERN.

NOTE: CONTACT BEACON PRODUCTS FOR REPLACEMENT OR MISSING HARDWARE, AS NON-STANDARD FASTENERS MAY BE REQUIRED.



WHEN WELDING, ALIGN HOLE
WITH AXIS OF ARM AS SHOWN.



NOTE:
LUMINAIRE STYLE MAY VARY.

DWG. No. INST. INSTRUCTIONS/II-50-002

DRAWN BY: ALC

APPROVED BY: C.H.

DATE: 08/27/07